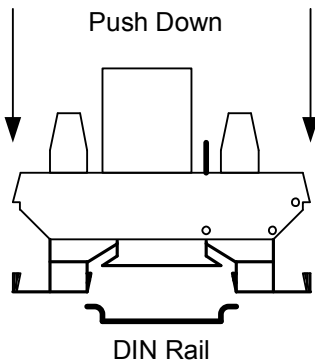


4SRM Four Single Relay Module

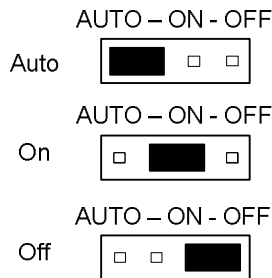
Mount the Relay Module

1, Ensure that the power to the panel and controller is isolated.

2, Present the module to the DIN rail and firmly press the module until the mounting clips "click" over the DIN rail. It may be necessary to open the mounting clip with a flat screwdriver.

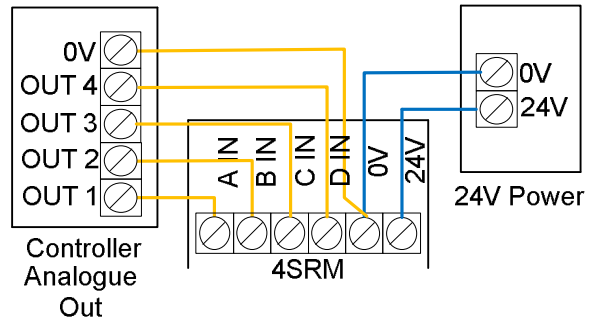


3, Set the AUTO/ON/OFF link to the desired operation at start up and commissioning for each relay channel A, B, C and D.



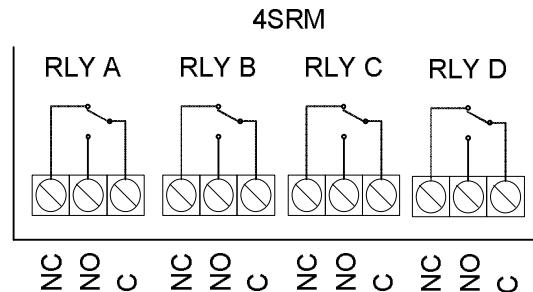
Connect the Module to the Controller

4, Wire the 24V AC or DC supply and the controllers common and output connections as shown.



Connect the Module to the Plant

5, The relay outputs are Volt Free Contacts (VFC) and may be wired as a Normally Open (NO) or Normally Closed (NC) circuit.



Testing and Commissioning

6, Check the wiring and restore the power to the panel. Check the plant operation using the AUTO/ON/OFF link ensuring the leds are illuminated. Set the links to AUTO and commission the controller.

See also 4 SRM Data Sheet for Specifications.