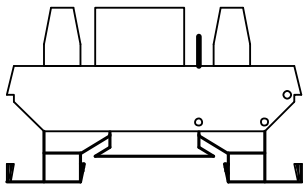


FDM-2004 Flood Detector Module

Mount the Relay Module

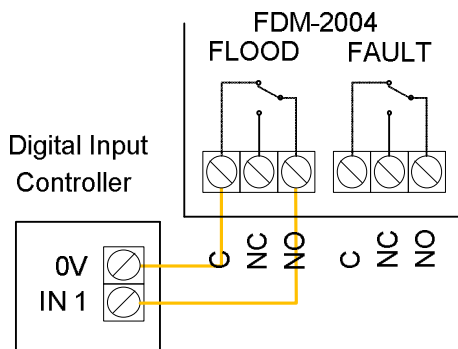
1, Ensure that the power to the panel and controller is isolated.

2, Present the module to the DIN rail and firmly press the module until the mounting clips “click” over the DIN rail. It may be necessary to open the mounting clip with a flat screwdriver.

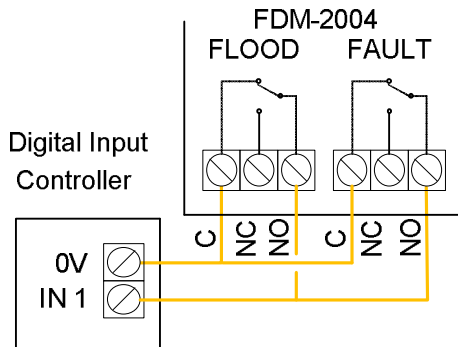


Connect the Module to the Controller

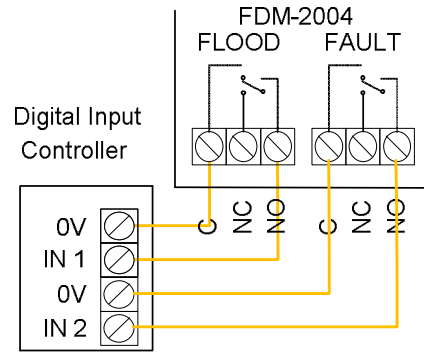
3, Wire the flood output and fault to the controller input connections as shown.



Flood only connection



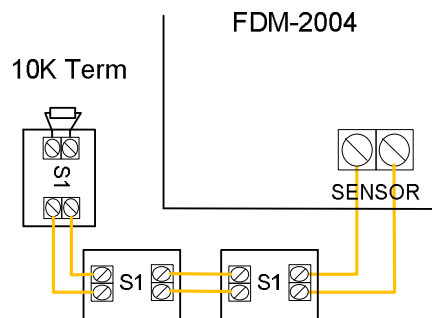
Flood and Fault to one input connection



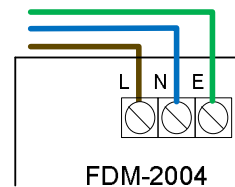
Flood and Fault to two inputs connection

Connect the Module to the Sensor

4, The sensor(s) are connected as shown, ensure that the 10K terminating resistor is connected to the last FDM-S1. Only 1 termination per sensor input.



Connect the 230V AC supply



5, Connect the supply as shown

Testing and Commissioning

6, Check the wiring, restore the power to the panel and commission the controller.