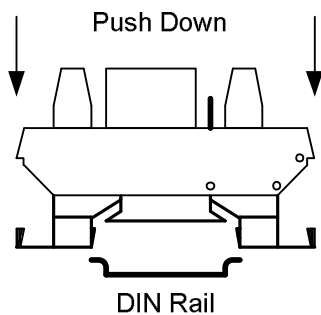


MDI-4 Four Way Digital Converter

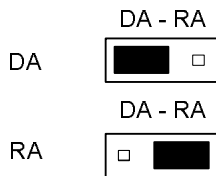
Mount the Relay Module

1, Ensure that the power to the panel and controller is isolated.

2, Present the module to the DIN rail and firmly press the module until the mounting clips "click" over the DIN rail. It may be necessary to open the mounting clip with a flat screwdriver.

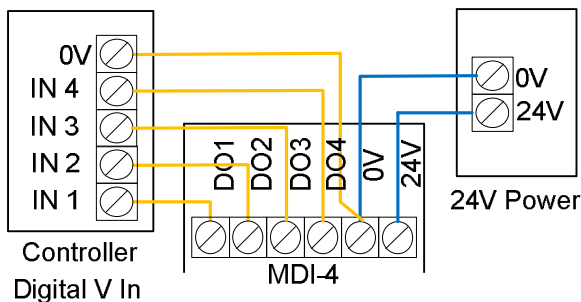


3. Set the DA/RA link to the desired function.

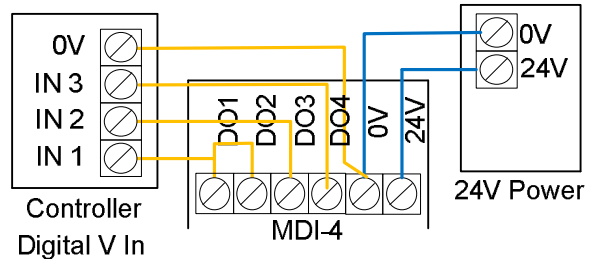


Connect the Module to the Controller

4, Wire the 24V AC or DC supply, the controllers common and input connections as shown.

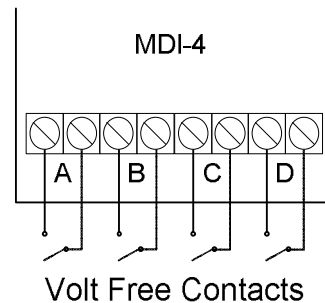


5, Outputs may be integrated to give an OR function e.g. A or B, C, D.



Connect the Module to the Plant

6, The inputs are Volt Free Contacts (VFC) as the input terminals carry the +24V DC and must not be grounded.



Testing and Commissioning

7, Check the wiring, restore the power to the panel and commission the controller.

See also MDI-4 Data Sheet for Specifications.