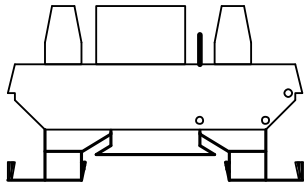


MOD6DIX Six Way Digital Expander

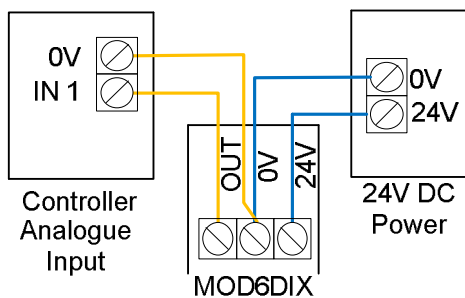
Mount the Relay Module

- 1, Ensure that the power to the panel and controller is isolated.
- 2, Present the module to the DIN rail and firmly press the module until the mounting clips “click” over the DIN rail. It may be necessary to open the mounting clip with a flat screwdriver.



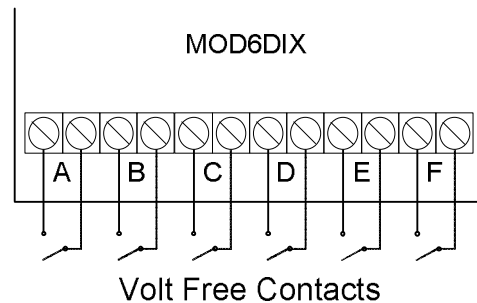
Connect the Module to the Controller

- 3, Wire the 24V DC supply, the controllers common and input connections as shown.



Connect the Module to the Plant

- 4, The inputs are Volt Free Contacts (VFC) as the input terminals carry the +24V DC and must not be grounded.



Testing and Commissioning

- 5, Check the wiring, restore the power to the panel and commission the controller.

See also MOD6DIX Data Sheet for Specifications.